

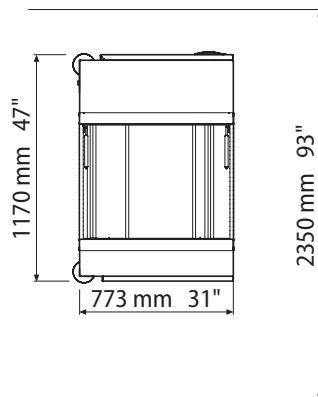
Transport t20 feeder/by-pass

Direct connection of c2x cutters to finishing units



- ✓ *Sheet transport section right after knife and reject*
- ✓ *Includes required (cutter) electronics and display*
- ✓ *Space for waste bin alt. extraction equipment*
- ✓ *Adjustable sheet delivery height*

Service Area



Technical Specifications

Performance / Media

| | | |
|-----------------|---|---------------|
| Speed max. | 750 ft/min | 228 m/min |
| Feeding | Pinfed or pinless | |
| Paper weight | 10# bond - 112# cover, 40 - 300 gsm | |
| Media type | coated and uncoated paper | |
| Web width | 5.5" - 20.5" | 140 - 520 mm |
| Sheet length | 3.5" - 99" | 89 - 2500 mm |
| Applications | 1-up, 2-up | |
| Delivery height | 37.4" - 41.3" | 950 - 1050 mm |
| Justification | Left or right edge based on web input Adjustable to support centre justified following devices | |

Electrical

| | | |
|-----------------|---------------------------------|--------------|
| Power | 230 Vac, 50 Hz, 10A | |
| (North America) | 208 Vac, 60 Hz, 15A, REC=L6-15R | |
| Consumption | 400 W (in use) | 100 W (idle) |
| Heat output | 1360 BTU/h | 340 BTU/h |

Environmental

| | | |
|----------------|------------------|-----------------|
| Temperature | 66 - 84° F | 19 - 29° C |
| Acoustics | ~ 70 dB(A) | |
| Humidity range | 50 ± 10% optimum | 40% - 80% limit |

Dimensions

| | | |
|--------|-----------|---------|
| Length | 31" | 773 mm |
| Width | 47" | 1170 mm |
| Height | 46" | 1165 mm |
| Weight | 440 lb | 200 kg |
| Color | Dark Grey | |

Approvals

CE (98/37/EG), EMC Class A, LVD,
CB EN 60950, cULus 60950-1,
FCC15 Class A, VCCI

Product Specification



15112016

©2016 Tecnau. All rights reserved. The Tecnau name and logo are trademarks of Tecnau. Tecnau reserves the right to make any technical amendments without prior notification.



TECNAU
w w w . t e c n a u . c o m

| | | | |
|--------------|-----------|------------------|--------------------|
| Europe | Italy | +39 0125 631678 | info.it@tecnau.com |
| | Sweden | +46 372 256 00 | info.se@tecnau.com |
| Americas | USA | +1 978 608 0500 | info.us@tecnau.com |
| Asia Pacific | China | +86 159 00710147 | info.cn@tecnau.com |
| | Singapore | +65 6793 9478 | info.sg@tecnau.com |